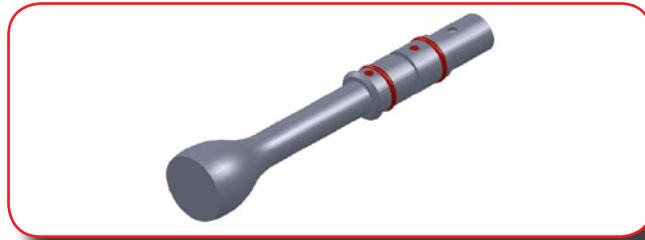


ROTATING PROBES - REFLECTION

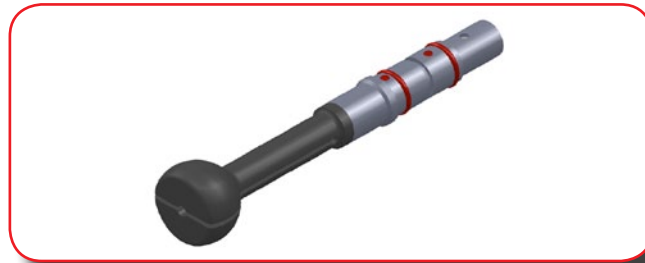
Rotating Probes (Reflection) are available in two options, Rigid Stainless Steel and Delrin Flexible. Rigid stainless steel probes offer high wear resistance, where as the flexible probes are used where hole tolerances are poor and access is not directly in-line with the hole.

Benefits...

- Available in a wide range of diameters
- Counter-sink and counter-bore options also available.



RIGID STAINLESS STEEL



DELRIN FLEXIBLE

Applications...

Differential Rotating Probes - for internal diameter inspection of bore holes, counter-sinks and counter-bores.

The Key Features and specifications of our Rotating Probes include:

- Probe diameters from 1.6 to 50mm, available in 0.01mm steps.
- Fischer connector to Hocking, GE, Rohmann and Foerster drive units.
- Frequency range from 200kHz to 2MHz.
- Comes in rigid stainless steel and Delrin flexible options.

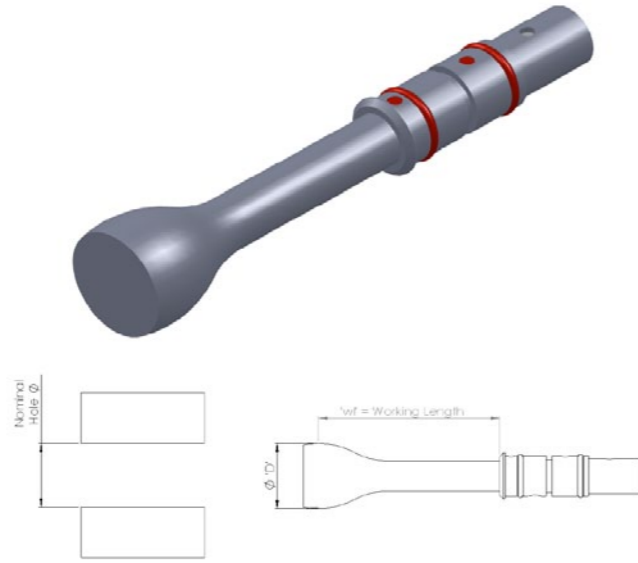
Please note...

When ordering Rotating Probes 0.1mm is automatically taken off probe diameter during manufacture, this should be good for a typical hole condition and manufacturing tolerances. Where tolerances are poor allow for greater clearance.

Example: To inspect a $\varnothing 12.7$ (1/2") hole a $\varnothing 12.7$ probe should be ordered which will be manufactured to a $\varnothing 12.6$.

RIGID STAINLESS STEEL PROBE CODING

RIGID STAINLESS STEEL PROBE CODING CONTINUED...



ETHER NDE Part No.	Description	Nominal Hole Dia "	Nominal Hole Dia mm	'wl' - Working Length mm
Imperial Examples:				
PRR0159-035	Probe. Rotating, Rigid, Dia = 1.59mm (1/16"), wl = 35mm	1/16"	1.59	35.0
PRR0198-035	Probe. Rotating, Rigid, Dia = 1.98mm (5/64"), wl = 35mm	5/64"	1.98	35.0
PRR0238-035	Probe. Rotating, Rigid, Dia = 2.38mm (3/32"), wl = 35mm	3/32"	2.38	35.0
PRR0287-035	Probe. Rotating, Rigid, Dia = 2.87mm (7/64"), wl = 35mm	7/64"	2.87	35.0
PRR0318-035	Probe. Rotating, Rigid, Dia = 3.18mm (1/8"), wl = 35mm	1/8"	3.18	35.0
PRR0357-035	Probe. Rotating, Rigid, Dia = 3.57mm (9/64"), wl = 35mm	9/64"	3.57	35.0
PRR0397-035	Probe. Rotating, Rigid, Dia = 3.97mm (5/32"), wl = 35mm	5/32"	3.97	35.0
PRR0437-035	Probe. Rotating, Rigid, Dia = 4.37mm (11/64"), wl = 35mm	11/64"	4.37	35.0
PRR0476-035	Probe. Rotating, Rigid, Dia = 4.76mm (3/16"), wl = 35mm	3/16"	4.76	35.0
PRR0516-035	Probe. Rotating, Rigid, Dia = 5.16mm (13/64"), wl = 35mm	13/64"	5.16	35.0
PRR0556-035	Probe. Rotating, Rigid, Dia = 5.56mm (7/32"), wl = 35mm	7/32"	5.56	35.0
PRR0595-035	Probe. Rotating, Rigid, Dia = 5.95mm (15/64"), wl = 35mm	15/64"	5.95	35.0
PRR0635-035	Probe. Rotating, Rigid, Dia = 6.35mm (1/4"), wl = 35mm	1/4"	6.35	35.0
PRR0675-035	Probe. Rotating, Rigid, Dia = 6.75mm (17/64"), wl = 35mm	17/64"	6.75	35.0
PRR0714-035	Probe. Rotating, Rigid, Dia = 7.14mm (9/32"), wl = 35mm	9/32"	7.14	35.0
PRR0754-035	Probe. Rotating, Rigid, Dia = 7.54mm (19/64"), wl = 35mm	19/64"	7.54	35.0
PRR0794-035	Probe. Rotating, Rigid, Dia = 7.94mm (5/16"), wl = 35mm	5/16"	7.94	35.0
PRR0833-035	Probe. Rotating, Rigid, Dia = 8.33mm (13/64"), wl = 35mm	21/64"	8.33	35.0
PRR0873-035	Probe. Rotating, Rigid, Dia = 8.73mm (11/32"), wl = 35mm	11/32"	8.73	35.0
PRR0913-035	Probe. Rotating, Rigid, Dia = 9.13mm (23/64"), wl = 35mm	23/64"	9.13	35.0
PRR0953-035	Probe. Rotating, Rigid, Dia = 9.53mm (3/8"), wl = 35mm	3/8"	9.53	35.0
PRR0992-035	Probe. Rotating, Rigid, Dia = 9.92mm (25/64"), wl = 35mm	25/64"	9.92	35.0
PRR1032-035	Probe. Rotating, Rigid, Dia = 10.32mm (13/32"), wl = 35mm	13/32"	10.32	35.0
PRR1072-035	Probe. Rotating, Rigid, Dia = 10.72mm (27/64"), wl = 35mm	27/64"	10.72	35.0
PRR1111-035	Probe. Rotating, Rigid, Dia = 11.11mm (7/16"), wl = 35mm	7/16"	11.11	35.0
PRR1151-035	Probe. Rotating, Rigid, Dia = 11.51mm (29/64"), wl = 35mm	29/64"	11.51	35.0
PRR1191-035	Probe. Rotating, Rigid, Dia = 11.91mm (15/32"), wl = 35mm	15/32"	11.91	35.0
PRR1230-035	Probe. Rotating, Rigid, Dia = 12.30mm (31/64"), wl = 35mm	31/64"	12.30	35.0
PRR1270-035	Probe. Rotating, Rigid, Dia = 12.70mm (1/2") wl = 35mm	1/2"	12.70	35.0

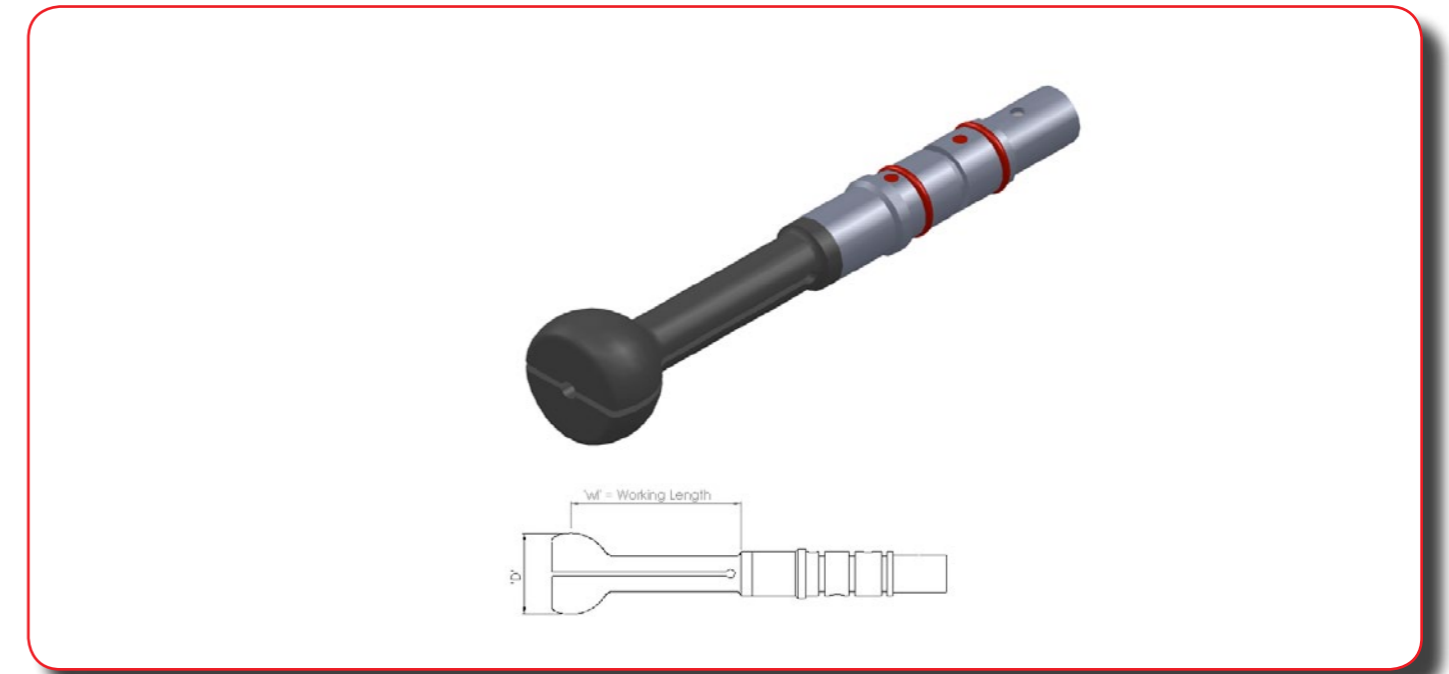
PRR1310-065	Probe. Rotating, Rigid, Dia = 13.10mm (33/64") wl = 65mm	33/64"	13.10	65.0
PRR1350-065	Probe. Rotating, Rigid, Dia = 13.50mm (17/32") wl = 65mm	17/32"	13.50	65.0
PRR1390-065	Probe. Rotating, Rigid, Dia = 13.90mm (35/64") wl = 65mm	35/64"	13.9	65.0
PRR1430-065	Probe. Rotating, Rigid, Dia = 14.30mm (9/16") wl = 65mm	9/16"	14.3	65.0
PRR1470-065	Probe. Rotating, Rigid, Dia = 14.70mm (37/64") wl = 65mm	37/64"	14.7	65.0
PRR1510-065	Probe. Rotating, Rigid, Dia = 15.10mm (19/32") wl = 65mm	19/32"	15.1	65.0
PRR1550-065	Probe. Rotating, Rigid, Dia = 15.50mm (39/64") wl = 65mm	39/64"	15.5	65.0
PRR1590-065	Probe. Rotating, Rigid, Dia = 15.90mm (5/8") wl = 65mm	5/8"	15.9	65.0
PRR1630-065	Probe. Rotating, Rigid, Dia = 16.30mm (41/64") wl = 65mm	41/64"	16.3	65.0
PRR1670-065	Probe. Rotating, Rigid, Dia = 16.70mm (21/32") wl = 65mm	21/32"	16.7	65.0
PRR1710-065	Probe. Rotating, Rigid, Dia = 17.10mm (43/64") wl = 65mm	43/64"	17.1	65.0
PRR1750-065	Probe. Rotating, Rigid, Dia = 17.50mm (11/16") wl = 65mm	11/16"	17.5	65.0
PRR1790-065	Probe. Rotating, Rigid, Dia = 17.90mm (45/64") wl = 65mm	45/64"	17.9	65.0
PRR1830-065	Probe. Rotating, Rigid, Dia = 18.30mm (23/32") wl = 65mm	23/32"	18.3	65.0
PRR1870-065	Probe. Rotating, Rigid, Dia = 18.70mm (47/64") wl = 65mm	47/64"	18.7	65.0
PRR1910-065	Probe. Rotating, Rigid, Dia = 19.10mm (3/4") wl = 65mm	3/4"	19.1	65.0
PRR1950-065	Probe. Rotating, Rigid, Dia = 19.50mm (49/64") wl = 65mm	49/64"	19.5	65.0
PRR1980-065	Probe. Rotating, Rigid, Dia = 19.80mm (25/32") wl = 65mm	25/32"	19.8	65.0
PRR2020-065	Probe. Rotating, Rigid, Dia = 20.20mm (51/64") wl = 65mm	51/64"	20.2	65.0
PRR2060-065	Probe. Rotating, Rigid, Dia = 20.60mm (13/16") wl = 65mm	13/16"	20.6	65.0
PRR2100-065	Probe. Rotating, Rigid, Dia = 21.00mm (63/64") wl = 65mm	53/64"	21.0	65.0
PRR2140-065	Probe. Rotating, Rigid, Dia = 20.20mm (27/32") wl = 65mm	27/32"	21.4	65.0
PRR2180-065	Probe. Rotating, Rigid, Dia = 20.20mm (55/64") wl = 65mm	55/64"	21.8	65.0
PRR2220-065	Probe. Rotating, Rigid, Dia = 20.20mm (7/8") wl = 65mm	7/8"	22.2	65.0
PRR2260-065	Probe. Rotating, Rigid, Dia = 20.20mm (57/64") wl = 65mm	57/64"	22.6	65.0
PRR2300-065	Probe. Rotating, Rigid, Dia = 20.20mm (29/32") wl = 65mm	29/32"	23.0	65.0
PRR2340-065	Probe. Rotating, Rigid, Dia = 20.20mm (59/64") wl = 65mm	59/64"	23.4	65.0
PRR2380-065	Probe. Rotating, Rigid, Dia = 20.20mm (15/16") wl = 65mm	15/16"	23.8	65.0
PRR2420-065	Probe. Rotating, Rigid, Dia = 20.20mm (61/64") wl = 65mm	61/64"	24.2	65.0
PRR2460-065	Probe. Rotating, Rigid, Dia = 20.20mm (31/32") wl = 65mm	31/32"	24.6	65.0
PRR2500-065	Probe. Rotating, Rigid, Dia = 20.20mm (63/64") wl = 65mm	63/64"	25.0	65.0
PRR2540-065	Probe. Rotating, Rigid, Dia = 20.20mm (1.0") wl = 65mm	1.0	25.4	65.0



RIGID STAINLESS STEEL PROBE CODING CONTINUED...

Metric Examples:				
PRR0300-035	Probe. Rotating, Rigid, Dia = 3.00mm, wl = 35mm		3.00	35.0
PRR0400-035	Probe. Rotating, Rigid, Dia = 4.00mm, wl = 35mm		4.00	35.0
PRR0500-035	Probe. Rotating, Rigid, Dia = 5.00mm, wl = 35mm		5.00	35.0
PRR0600-035	Probe. Rotating, Rigid, Dia = 6.00mm, wl = 35mm		6.00	35.0
PRR0700-035	Probe. Rotating, Rigid, Dia = 7.00mm, wl = 35mm		7.00	35.0
PRR0800-035	Probe. Rotating, Rigid, Dia = 8.00mm, wl = 35mm		8.00	35.0
PRR0900-035	Probe. Rotating, Rigid, Dia = 9.00mm, wl = 35mm		9.00	35.0
PRR1000-035	Probe. Rotating, Rigid, Dia = 10.00mm, wl = 35mm		10.00	35.0
PRR1100-035	Probe. Rotating, Rigid, Dia = 11.00mm, wl = 35mm		11.00	35.0
PRR1200-035	Probe. Rotating, Rigid, Dia = 12.00mm, wl = 35mm		12.00	35.0
PRR1300-035	Probe. Rotating, Rigid, Dia = 13.00mm, wl = 35mm		13.00	65.0
PRR1400-035	Probe. Rotating, Rigid, Dia = 14.00mm, wl = 35mm		14.00	65.0
PRR1500-035	Probe. Rotating, Rigid, Dia = 15.00mm, wl = 35mm		15.00	65.0
PRR1600-035	Probe. Rotating, Rigid, Dia = 16.00mm, wl = 35mm		16.00	65.0
PRR1700-035	Probe. Rotating, Rigid, Dia = 17.00mm, wl = 35mm		17.00	65.0
PRR1800-035	Probe. Rotating, Rigid, Dia = 18.00mm, wl = 35mm		18.00	65.0
PRR1900-035	Probe. Rotating, Rigid, Dia = 19.00mm, wl = 35mm		19.00	65.0
PRR2000-035	Probe. Rotating, Rigid, Dia = 20.00mm, wl = 35mm		20.00	65.0
PRR2100-035	Probe. Rotating, Rigid, Dia = 21.00mm, wl = 35mm		21.00	65.0
PRR2200-035	Probe. Rotating, Rigid, Dia = 22.00mm, wl = 35mm		22.00	65.00
PRR2300-035	Probe. Rotating, Rigid, Dia = 23.00mm, wl = 35mm		23.00	65.00
PRR2400-035	Probe. Rotating, Rigid, Dia = 24.00mm, wl = 35mm		24.00	65.00
PRR2500-035	Probe. Rotating, Rigid, Dia = 25.00mm, wl = 35mm		25.00	65.00

DELRIN FLEXIBLE PROBE CODING



ETHer NDE Part No.	Description	Hole Dia Range mm	'wl' - Working Length mm
Examples:			
PRF040-050051	Probe. Rotating, Flexible, Dia = 4.0 – 5.0mm, wl = 51.00mm	4.0-5.0	51.0
PRF047-057051	Probe. Rotating, Flexible, Dia = 4.7 - 5.7mm, wl = 51.00mm	4.7-5.7	51.0
PRF060-070051	Probe. Rotating, Flexible, Dia = 6.0 – 7.0mm wl = 51.00mm	6.0-7.0	51.0
PRF078-080051	Probe. Rotating, Flexible, Dia = 7.8 – 8.0mm wl = 51.00mm	7.8-8.0	51.0
PRF095-105051	Probe. Rotating, Flexible, Dia = 9.5 – 10.5mm wl = 51.00mm	9.5-10.5	51.0
PRF111-121051	Probe. Rotating, Flexible, Dia = 11.1 – 12.1mm wl = 51.00mm	11.1-12.1	51.0
PRF125-135051	Probe. Rotating, Flexible, Dia = 12.5 – 13.5mm wl = 51.00mm	12.5-13.5	51.0
PRF140-150051	Probe. Rotating, Flexible, Dia = 14.0 – 15.0mm wl = 51.00mm	14.0-15.0	51.0
PRF159-169051	Probe. Rotating, Flexible, Dia = 15.9 – 16.9mm wl = 51.00mm	15.9-16.9	51.0
PRF175-185051	Probe. Rotating, Flexible, Dia = 17.5 – 18.5mm wl = 51.00mm	17.5-18.5	51.0
PRF191-201051	Probe. Rotating, Flexible, Dia = 19.1 – 20.1mm wl = 51.00mm	19.1-20.1	51.0
PRF206-216051	Probe. Rotating, Flexible, Dia = 20.6 – 21.6mm wl = 51.00mm	20.6-21.6	51.0
PRF220-230051	Probe. Rotating, Flexible, Dia = 22.0-23.0mm wl = 51.00mm	22.0-23.0	51.0
PRF235-245051	Probe. Rotating, Flexible, Dia = 23.5-24.5mm wl = 51.00mm	23.5-24.5	51.0
PRF285-295051	Probe. Rotating, Flexible, Dia = 28.5-29.5mm wl = 51.00mm	28.5-29.5	51.0



www.twn-technology.com

office@twn-technology.com
service@twn-technology.com